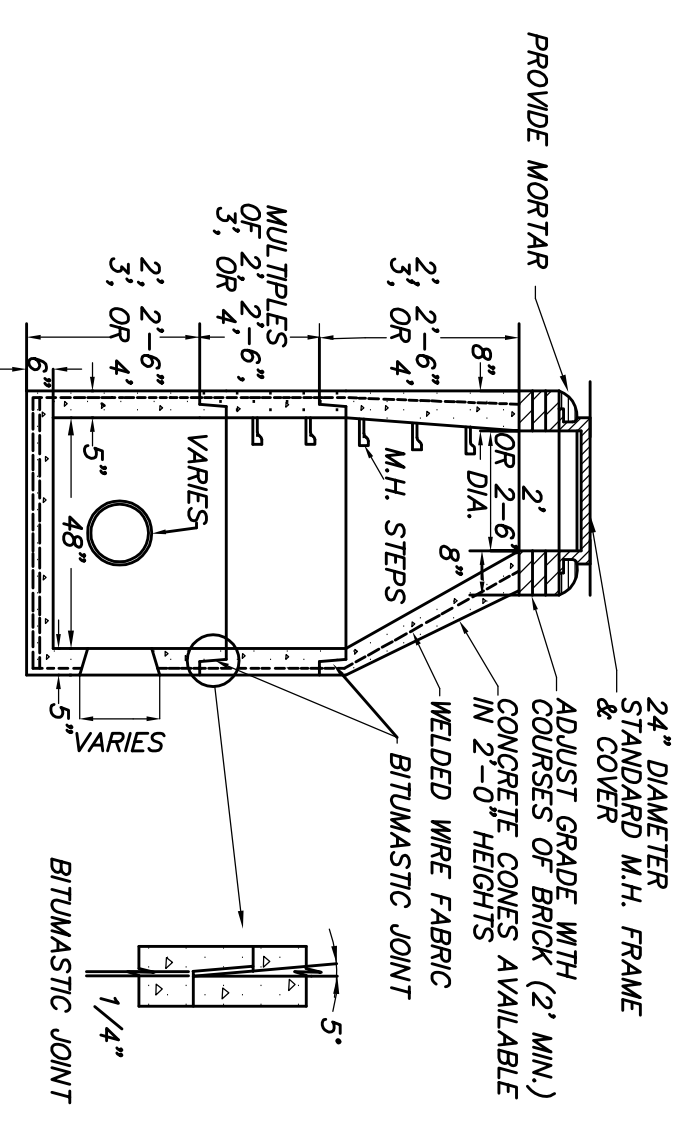
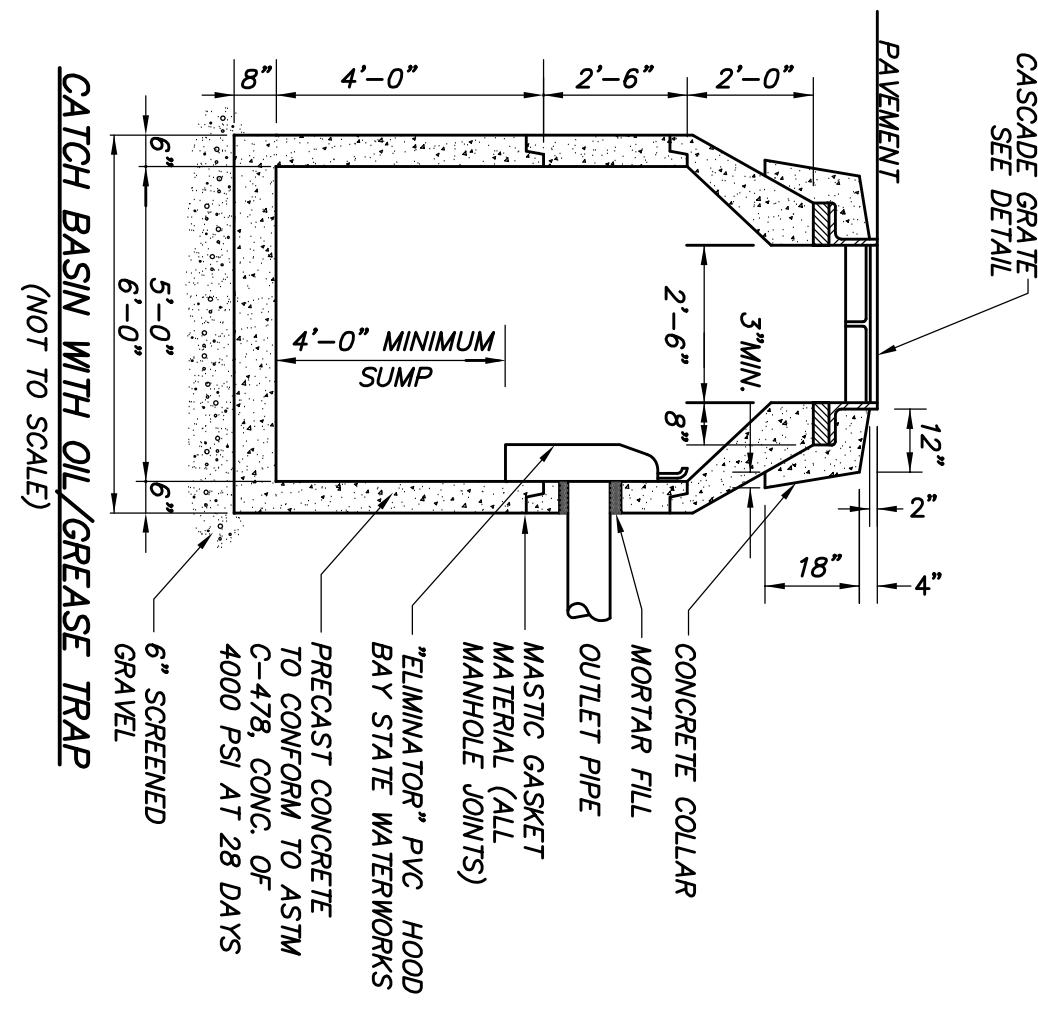
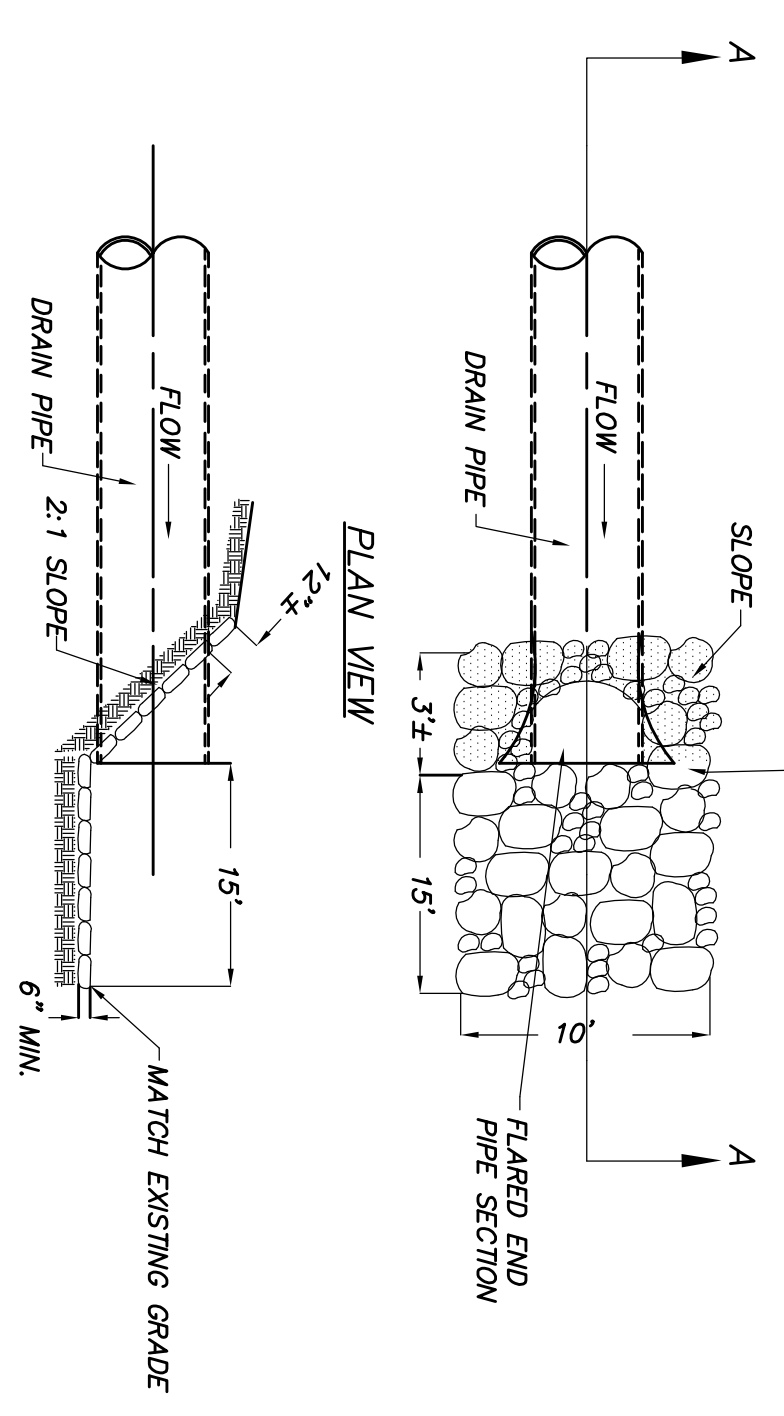


SPECIFICATIONS:
 CONCRETE STRENGTH - 4000 P.S.I. AT 28 DAYS
 REINFORCING STEEL CONFORMS TO LATEST ASTM A 195.
 BITUMASTIC BUTYL RUBBER FOR JOINTS CONFORM TO LATEST ASTM C 443 AND
 ONE POUR MONOLITHIC BASE.
 WHEN SPECIFIED, MANHOLES WATERPROOF COATED.
 STEEL REINFORCED COPOLYMER POLYPROPYLENE PLASTICS
 FED SS-5-201A SPEC.

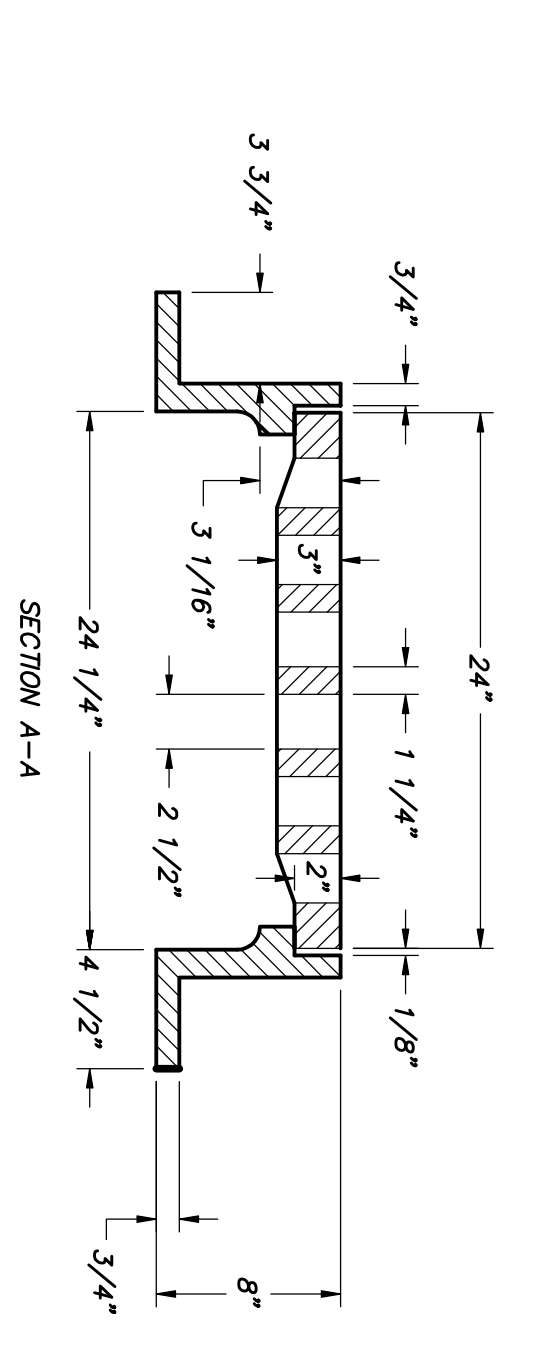
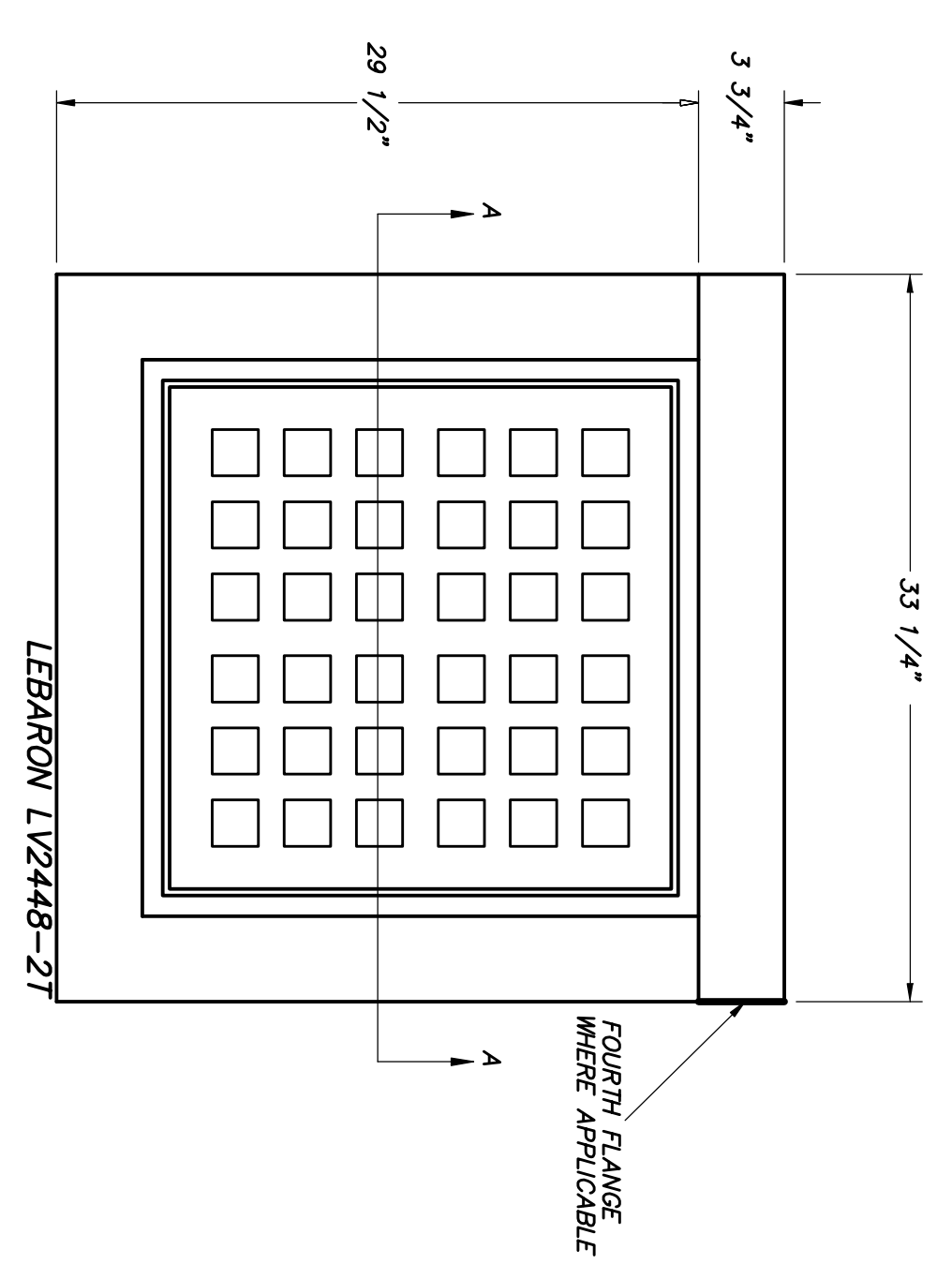


- NOTES:**
1. MANHOLE DESIGN TO LATEST ASTM C478.
 2. REINFORCING STEEL CONFORMS TO LATEST ASTM A 195.
 3. CONCRETE COMPRESSIVE STRENGTH - 4000 PSI @ 28 DAYS.
 4. BITUMASTIC BUTYL RUBBER FOR JOINTS CONFORM TO LATEST ASTM C443 AND ONE POUR MONOLITHIC BASE.
 5. ONE POUR MONOLITHIC BASE.
 6. WHEN SPECIFIED, MANHOLES WATERPROOF COATED.
 7. STEPS - STEEL REINFORCED COPOLYMER POLYPROPYLENE PLASTICS FED SS-5-201A SPEC.

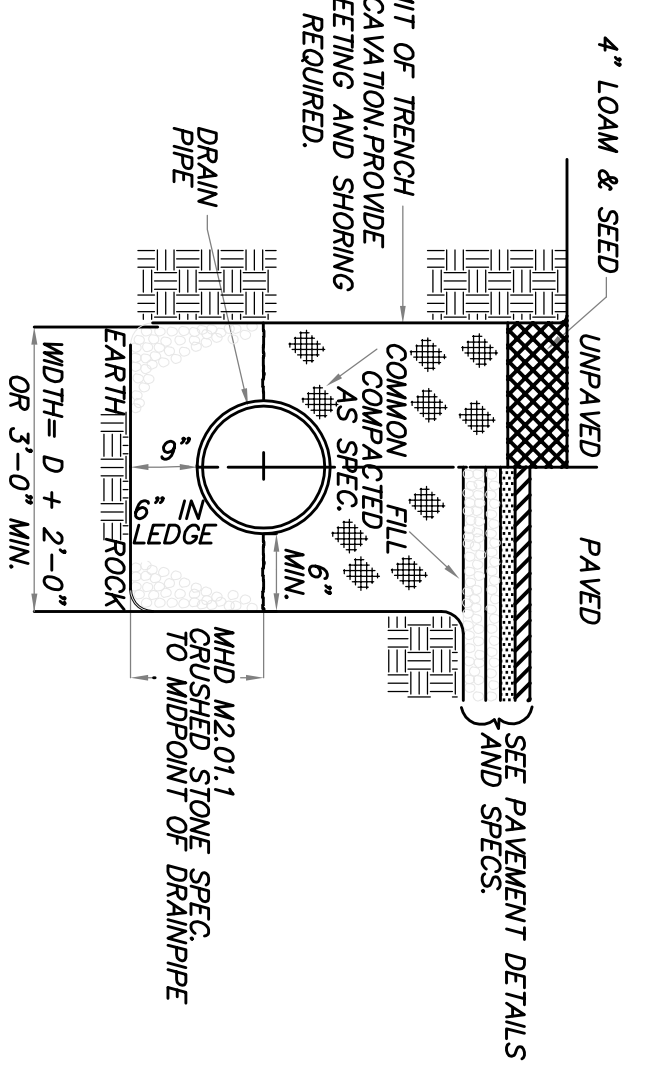
DRAIN MANHOLE DETAIL
(NOT TO SCALE)



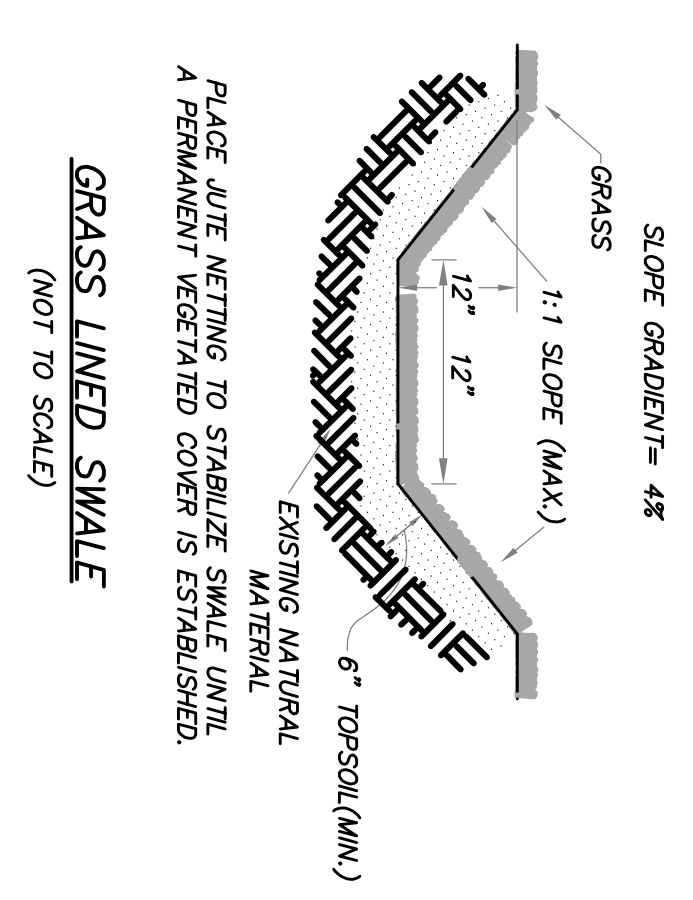
STONE RIPRAP DETAIL
(NOT TO SCALE)



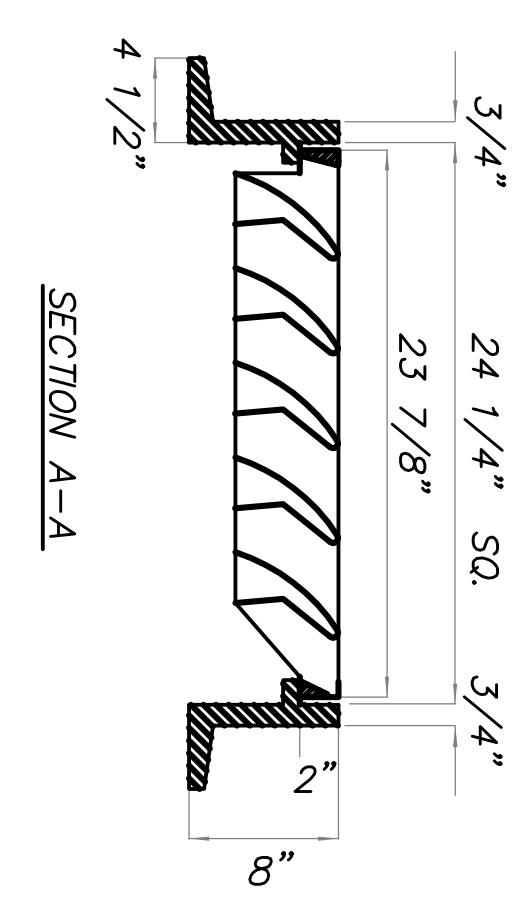
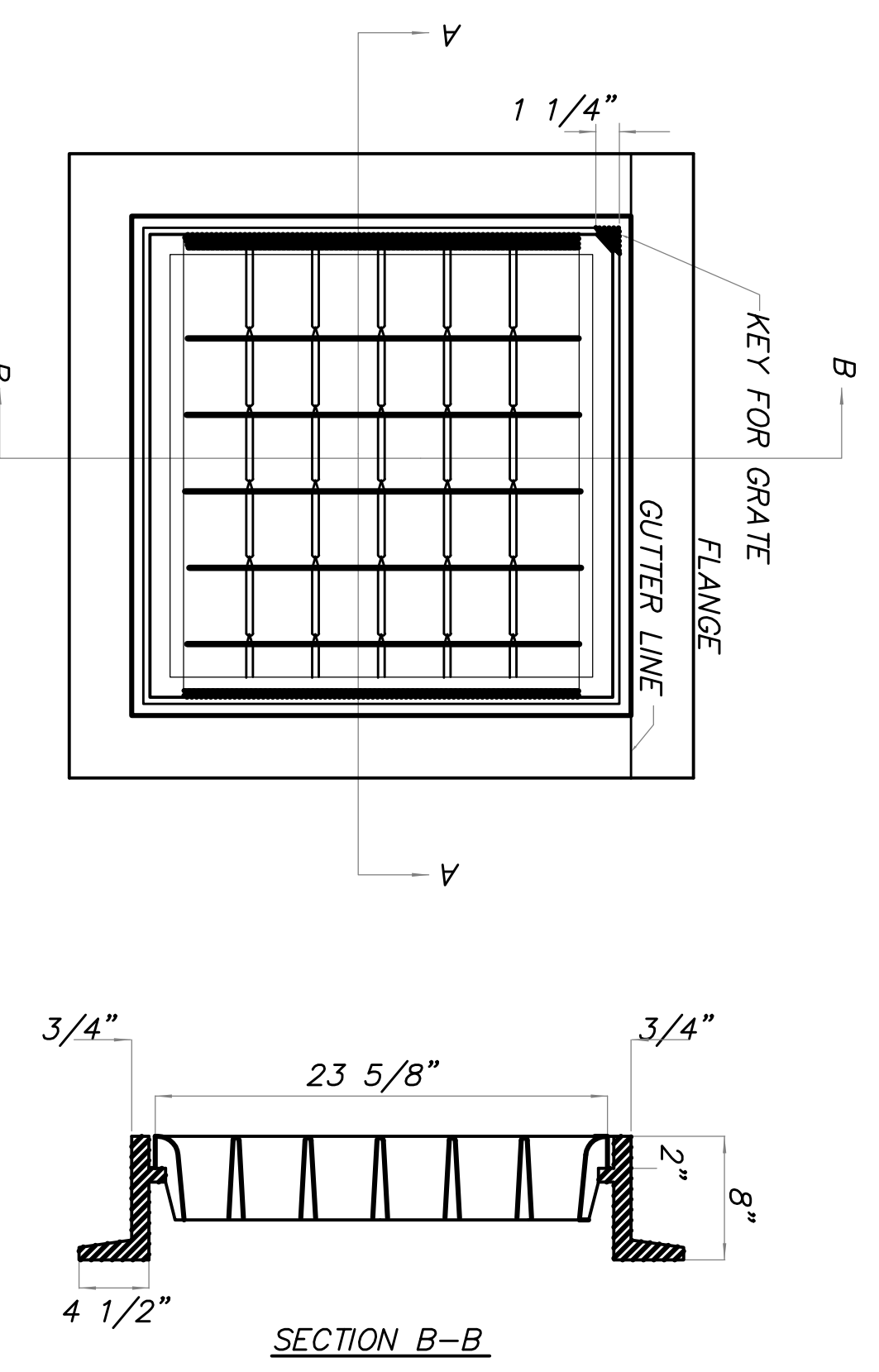
SQUARE CATCH BASIN FRAME AND GRATE
(NOT TO SCALE)



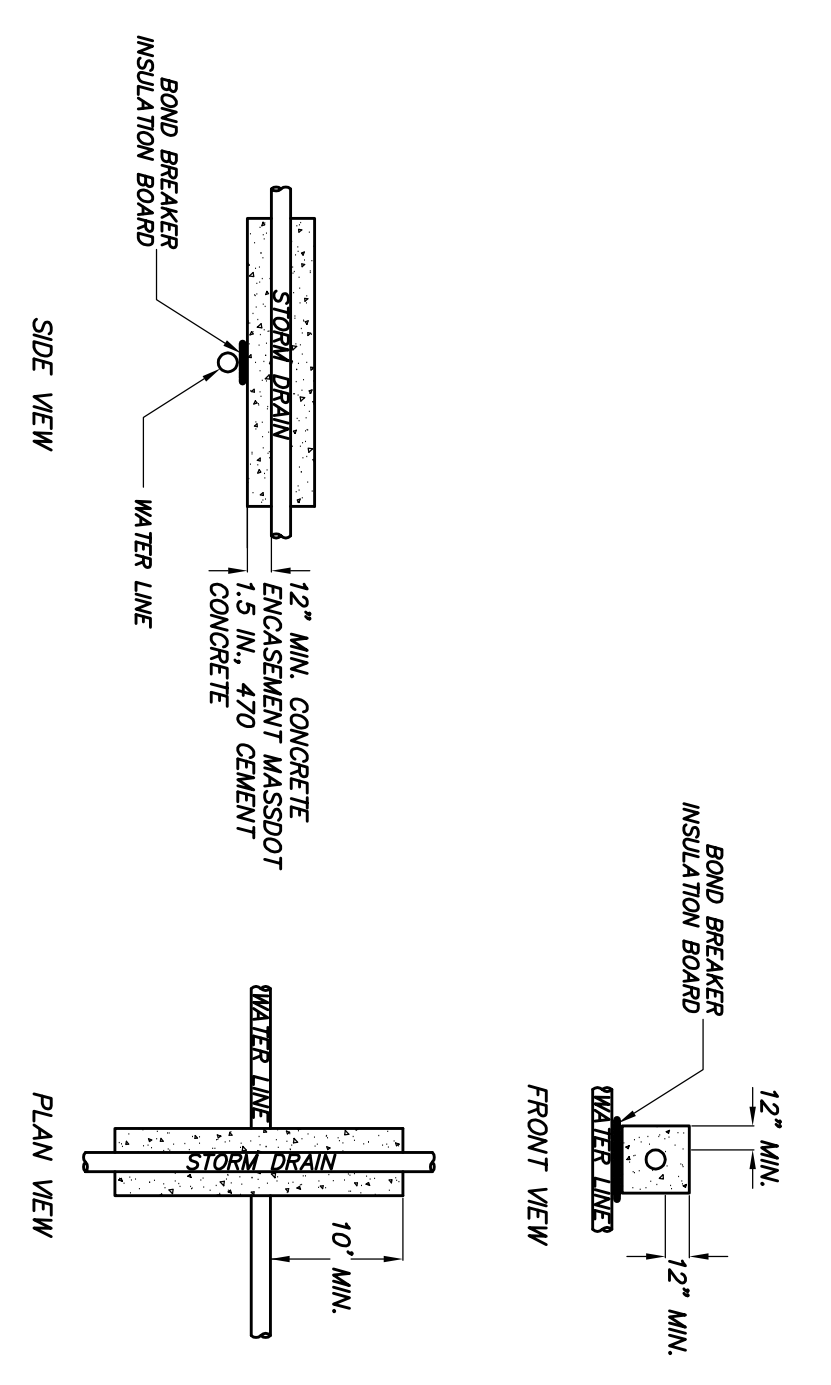
STORM DRAIN TRENCH DETAIL
(NOT TO SCALE)



GRASS LINED SWALE
(NOT TO SCALE)



CASCADIA CATCH BASIN FRAME AND GRATE
(NOT TO SCALE)



NOTE: REFER TO TOWN OF LITTLETON SUBDIVISION OF LAND REGULATIONS ARTICLE IV §249-85E FOR ADDITIONAL INFORMATION.

TYPICAL CONCRETE ENCASUREMENT OF STORMDRAINS
(NOT TO SCALE)

APPROVAL UNDER SUBDIVISION CONTROL IS REQUIRED BY LITTLETON PLANNING BOARD

DATE _____

#	DATE	REVISION COMMENT

DATE: 12/15/16

COPYRIGHT 2016, MARKEY & RUBIN INC.



DETAIL PLAN 1
COUPER FARM ESTATES
 LITTLETON, MASSACHUSETTS

M+M REALTY TRUST
 442 KING STREET
 LITTLETON, MASSACHUSETTS

360 MASSACHUSETTS AVE, SUITE 202
 ACTON, MASSACHUSETTS 01720
 P(978) 264-4600 F(978) 263-0447
 www.MarkeyAndRubin.com

Markey & Rubin
 CIVIL ENGINEERING

D1

SHEET 16 OF 21

JOB# 5057